

EMI debugging at board level

Analyze near-field signals and reduce electromagnetic interference (EMI) on boards and modules with the R&S®Spectrum Rider FPH and the R&S®HZ-15 near-field probes.



The R&S®Spectrum Rider FPH in combination with the R&S®HZ-15 near-field probes is the best solution for local detection of H- and E-fields.

Your task

EMI radiation and crosstalk caused by poor shielding can lead to signal quality and performance degradation in electronic RF devices. To minimize the overall EMI of electronic devices, local radiation sources on the integrated boards and modules must be well known. RF designers perform near-field measurements at the module level to determine whether electromagnetic disturbance complies with the applicable EMC standard to be able to take corrective actions at an early stage.

T&M solution

The R&S®Spectrum Rider FPH handheld spectrum analyzer in combination with the R&S®HZ-15 near-field probes offers a cost-efficient and user-friendly solution for quickly locating and analyzing EMI problems on boards and modules during design. The analyzer's high sensitivity (DANL of typ. < -163 dBm up to 3 GHz) makes it possible to measure even very small emissions.

Easy setup

Only a few steps are needed for an EMI debugging session:

- Connect a suitable near-field probe to the analyzer RF input
- Move the probe over the board or module under test

Based on prior field strength measurements, the designer already knows several critical frequencies of the board or module under test. Frequency and span have to be set accordingly on the R&S®Spectrum Rider.

Trace math function suppresses ambient noise

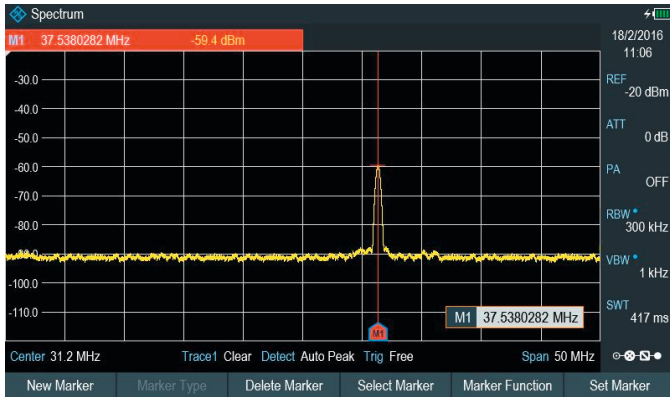
Outside of shielded chambers, environmental noise and interference can influence the measurement, leading to false measurement results. The R&S®Spectrum Rider trace math function can be used to suppress environmental noise, i.e. to subtract the noise from the actual trace.

To use the trace math function you have to:

- Set frequency, bandwidth and level according to the test requirements
- Make sure the device under test (DUT) is switched off
- Perform one sweep including radiation from the environment and store the result in the trace memory of the R&S®Spectrum Rider
- Switch on the DUT
- Perform a second sweep including radiation from the DUT and the environment
- Activate trace math to remove the environmental impact

The trace math function subtracts the contents of the memory (the environmental electromagnetic interference) from the last measured spectrum trace.

Example of using the R&S® Spectrum Rider trace math function



The DUT is switched off. The environmental EMI spectrum with an interferer at 37.538 MHz is measured and stored in the trace memory.



The DUT is switched on. The R&S® Spectrum Rider measures the EMI spectrum of the DUT and the environment.



EMI spectrum of DUT with subtracted interferer. The trace math function subtracts the stored environmental EMI from the last measurement, and the R&S® Spectrum Rider displays the resulting EMI behavior of the DUT.

Limit lines can be used for pass/fail indications on the display and to easily monitor improvements after EMI design optimization.

Rohde & Schwarz GmbH & Co. KG

Europe, Africa, Middle East | +49 89 4129 12345
 North America | 1 888 TEST RSA (1 888 837 87 72)
 Latin America | +1 410 910 79 88
 Asia Pacific | +65 65 13 04 88
 China | +86 800 810 82 28 | +86 400 650 58 96
 www.rohde-schwarz.com
 customersupport@rohde-schwarz.com

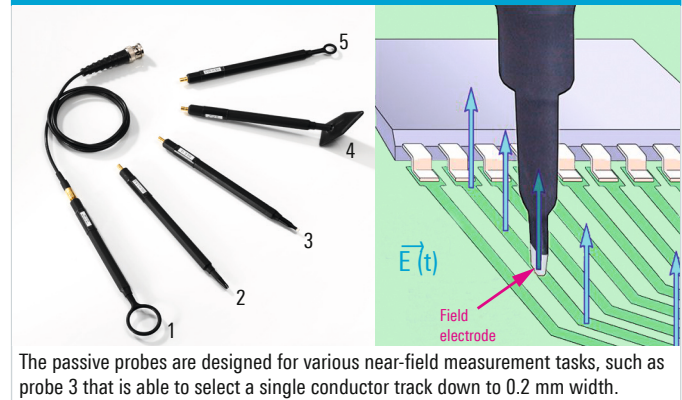
R&S®HZ-15 near-field probes for H- and E-fields

The R&S®HZ-15 is a set of five easy-to-use passive probes, ideal for measuring high-frequency H- and E-fields on boards and modules for EMI debugging. The magnetic field probes include special electrically shielded probe tips. The various probe tip shapes are designed for near-field measurement tasks:

- Probes for H-fields up to 3 GHz (probe 1, 2, 5)
- Probes for E-fields (probe 3, 4)

The narrow electrode probe 3 can select a single conductor track down to 0.2 mm in width. Probe 4 detects emitted E-fields on the surfaces of bus structures, large components or supply structures.

Passive probes for various near-field measurement tasks



The passive probes are designed for various near-field measurement tasks, such as probe 3 that is able to select a single conductor track down to 0.2 mm width.

Adding the R&S®HZ-16 preamplifier between the near-field probe and the spectrum analyzer increases sensitivity, making it possible to measure even very weak high-frequency fields up to 3 GHz.

The R&S® Spectrum Rider trace math function in combination with the near-field probes is ideal for preliminary investigation of a DUT's EMI performance right on the developer's bench. As the lab is inevitably a noisy and constantly changing electrical environment, a shielded chamber is required to accurately and repeatably determine the EMI performance of a device.

See also

www.rohde-schwarz.com/product/FPH

R&S® is a registered trademark of Rohde & Schwarz GmbH & Co. KG
 Trade names are trademarks of the owners
 PD 3607.4564.92 | Version 01.00 | June 2016 (as)
 R&S® Spectrum Rider FPH; EMI debugging at board level
 Data without tolerance limits is not binding | Subject to change
 © 2016 Rohde & Schwarz GmbH & Co. KG | 81671 Munich, Germany



3607456492