

# 4299-1 Single-Unit Heavy Duty

## Rack Mount Kit Installation instructions

Keithley Instruments  
28775 Aurora Road  
Cleveland, Ohio 44139  
1-800-935-5595  
<http://www.tek.com/keithley>

### Introduction

The Model 4299-1 Single Unit Adjustable Heavy-Duty Rack-Mount Kit contains all the hardware to install a Series 2600A/B SourceMeter® Instrument in a standard 19-inch (48.3-cm) rack.

### Parts list

Refer to the table below for a list of parts included in the kit.

| Quantity | Description                                  | Keithley part number |
|----------|--|----------------------|
| 1        | Front rack ear                               | 2602-355             |
| 1        | Rear rack-mount bracket                      | 2602-334             |
| 1        | Rack-mount extension arm                     | 2602-335             |
| 6        | Cage nut                                     | FA-274               |
| 1        | "DO NOT DISCARD" label                       | MC-345               |
| 4        | #8-32 X 3/8 LG Phillips pan-head screw       | 8-32X3/8PPH          |
| 2        | #10-32 X 3/8 LG Phillips pan-head SEMS screw | 10-32X3/8PPHSEM      |
| 6        | #10-32 X 5/8 LG Phillips truss-head screw    | 10-32X5/8PHTRSH      |
| 1        | Half-rack front panel                        | 2602-363             |

### Tools required

- Medium (#2) Phillips head screwdriver
- 3/8" wrench
- Flat-bladed screwdriver or cage nut installation tool, such as Knurr part number 01.130.985.9

### Installation

1. Review the [installation precautions](#) (on page 2).
2. Select a location in the rack.
3. Take steps to make it easier to manipulate and install the instrument:
  - Clear as much space as possible around the selected rack location.
  - If practical, remove the cabinet sides from the rack.
4. Perform the installation procedure beginning with [Step 1: Prepare the instrument](#). (on page 2)



## Installation precautions

Observe the following safety precautions while installing instruments.

### WARNING

**Turn off instrument power and unplug all cables before installing an instrument in a rack. Failure to remove power before installation may cause personal injury or death from electrical shock.**

### CAUTION

Heat sources should be mounted away from the instrument, cabling, and accessories, with sufficient space provided between the instrument and heat source for airflow and cooling.

### NOTE

To prevent damaging heat build-up and ensure specified performance, make sure there is adequate ventilation and air flow around the instrument to ensure proper cooling. Do not cover the ventilation holes on the top, sides, or bottom of the instrument.

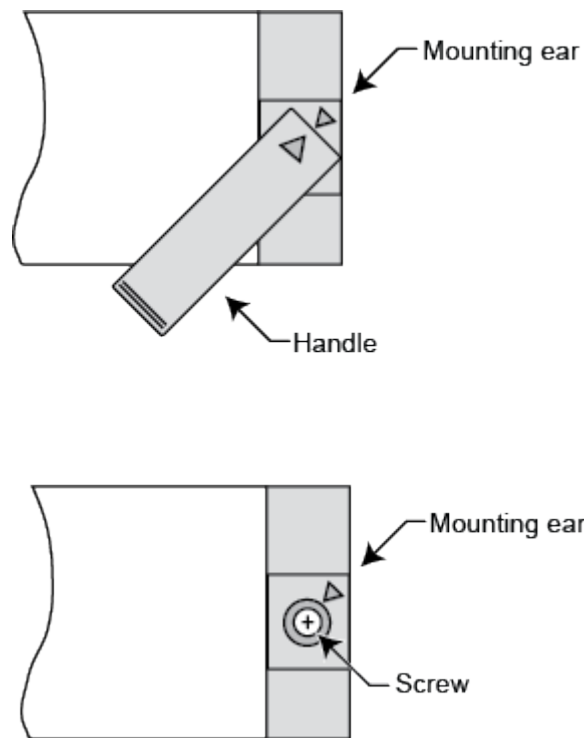
## Prepare the instrument

### ***To remove the handle, mounting ears, and rear feet:***

1. Remove the handle (the handle serves as an adjustable tilt-bail).
  - a. Adjust the handle by gently pulling it away from the sides of the instrument case and swinging it up or down until the orientation arrows on the handles line up with the orientation arrows on the mounting ears, see figure below.
  - b. With the arrows aligned, pull the ends of the handle away from the case.
2. Remove mounting ears.
  - a. Remove the screw that secures each mounting ear.
  - b. Pull down and out to remove each ear.

3. Remove both rear feet from the instrument by pulling out the rubber feet and then removing the screws underneath.

**Figure 1: 4299-2 Handle removal**



### NOTE

Do not reinstall the feet mounting screws. Save all removed parts for future bench-top use of the instrument.

## Install mounting hardware

### NOTE

The instrument may be installed on the either side of the rack. Simply attach the dress panel on the front to the opposing side.

#### **To install the mounting hardware on the instrument:**

1. Select the side that will be closest to the rack rail (see note above). Secure the rear rack-mount bracket (2602-334) to the side of the instrument using two pan-head SEMS screws (#10-32x3/8PPHSEM).
2. Secure the front rack ear (2602-355) to same side of the instrument as rear rack-mount bracket (2602-334) using two pan-head screws (#8-32x3/8PPH).
3. Secure the half-rack front panel (2602-363) to the other side of the instrument using the two remaining pan-head screws (#8-32x3/8PPH).

**Figure 2: 4299-1 Rear-rack mount bracket**

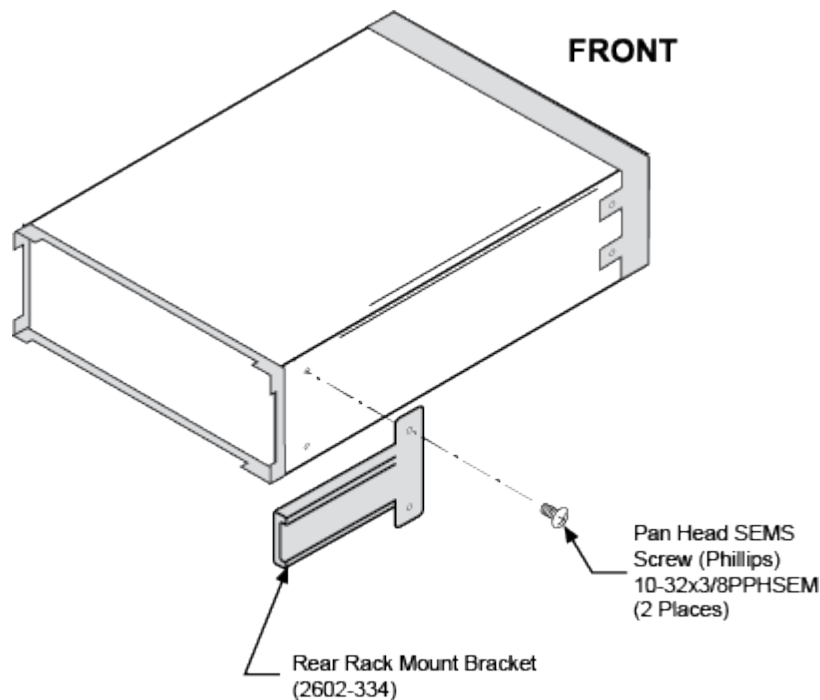
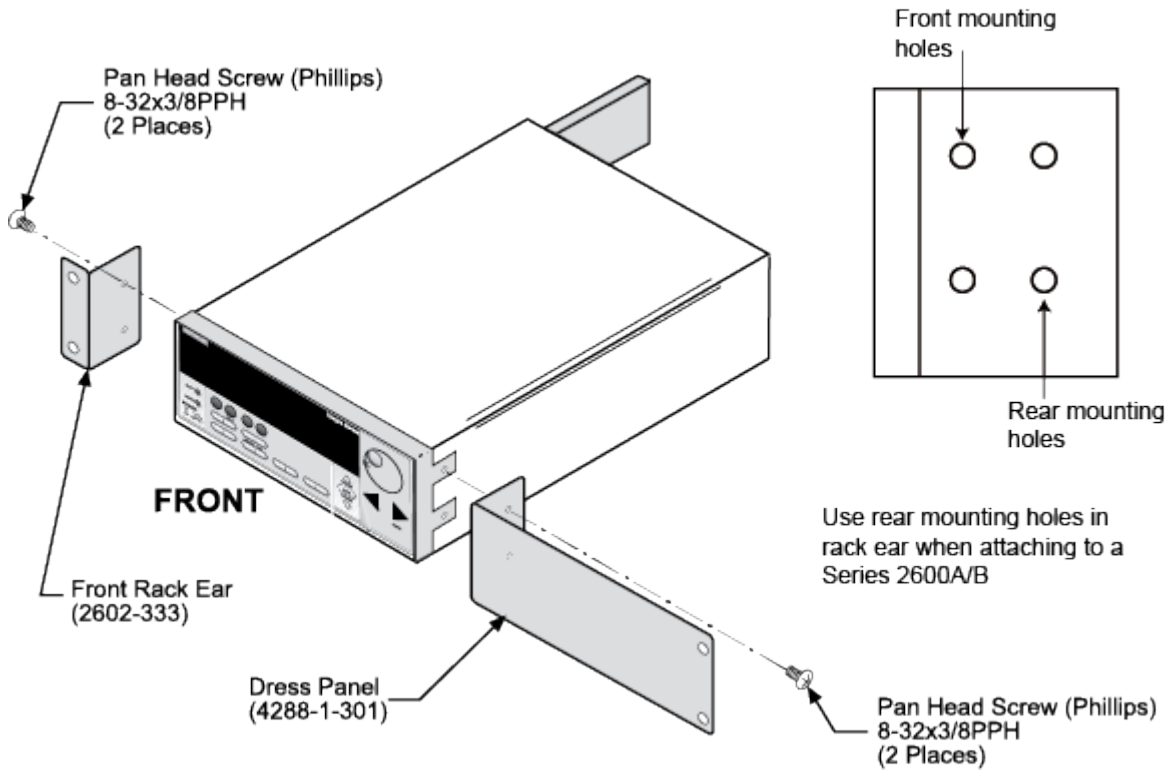


Figure 3: 4299-1 Attach rack ear and dress panel to instrument



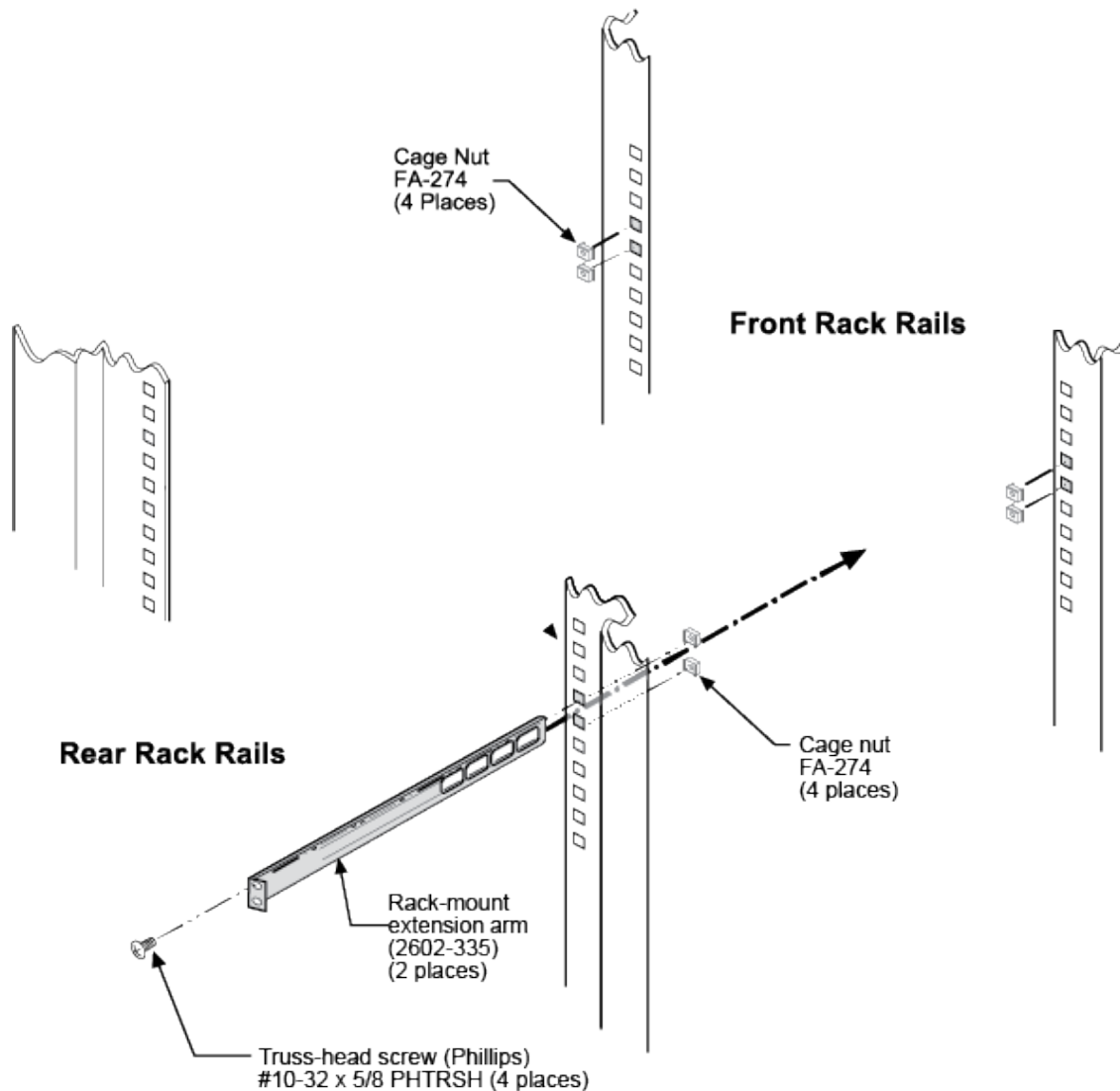
## Prepare the rack

1. Install the cage nuts (FA-274) into the front rack holes for the front rack ear and the half-rack front panel.
2. Install the cage nuts (FA-274) into the rear rack holes for the rack-mount extension arm (2602-335) on the same side as the front rack ear (2602-355). Make sure the locations selected for the rear rack holes correspond to the location selected for the front rack holes.
3. Secure the rack-mount extension arm (2602-335) to the rear of the rack rail using two truss-head screws (#10-32x5/8PHTRSH).

### NOTE

Cage nuts for the front rack ear, dress panel, and rack mount extension arm should be installed into the rails at the same hole spacing (vertical height). Cage nuts for the rack-mount extension arm should be installed on the same side as the cage nuts for the front rack ear.

Figure 4: 4299-1 Rack mount extension arm



## Install the instrument

### WARNING

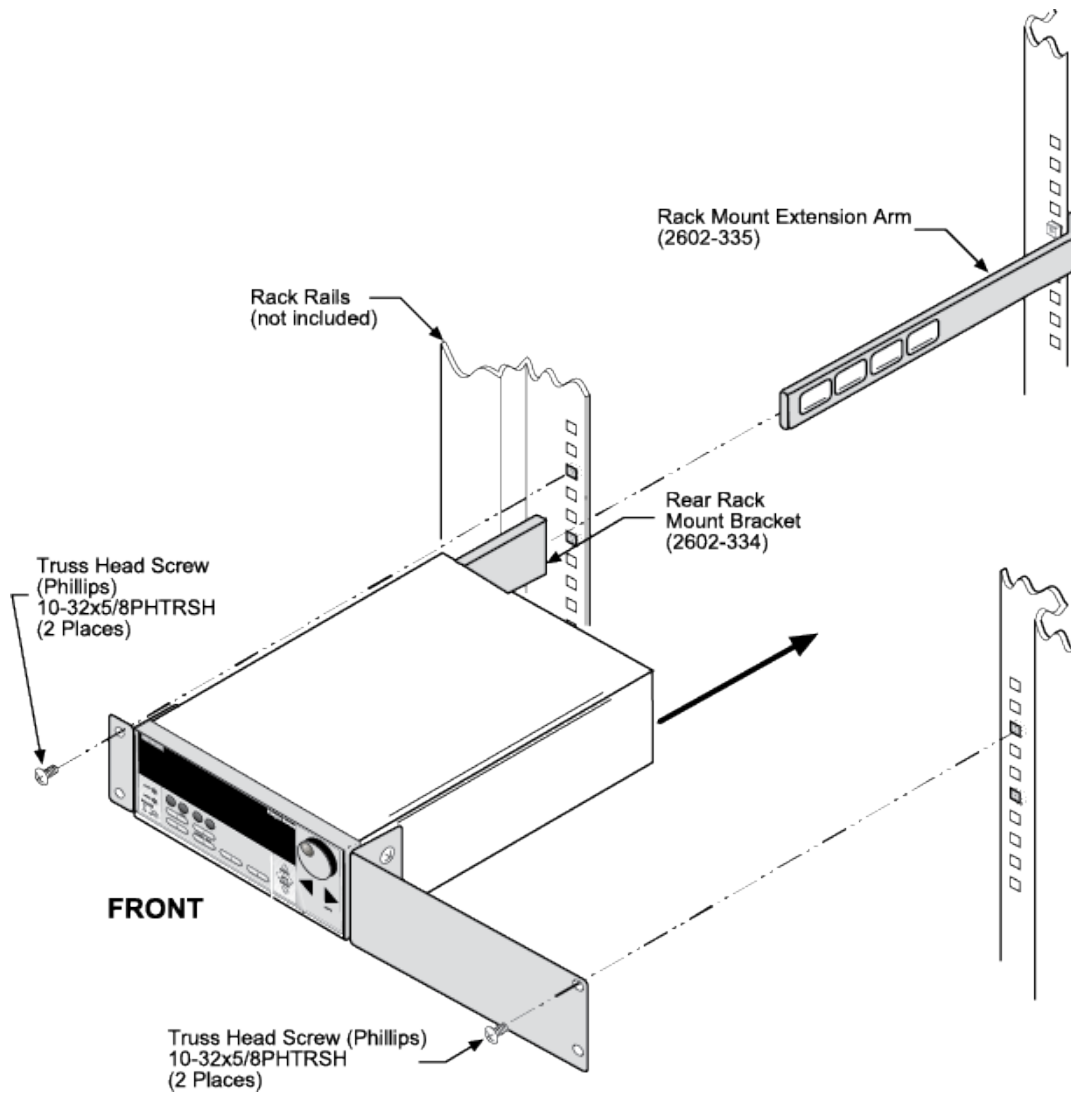
When rack mounting restricts access to the main power cord, provide a separate main power disconnect device, located close to the equipment and within easy reach of the operator.

### NOTE

Two people are recommended to complete this procedure.

1. Slide unit into rack by aligning the rear rack-mount bracket (2602-334) with the rack-mount extension arm (2602-335).
2. While still supporting the unit, secure it to the front of the rack with four truss-head screws (#10-32x5/8PHTRSH).

Figure 5: 4299-1 Install instruments



The following safety precautions should be observed before using this product and any associated instrumentation. Although some instruments and accessories would normally be used with nonhazardous voltages, there are situations where hazardous conditions may be present.

This product is intended for use by personnel who recognize shock hazards and are familiar with the safety precautions required to avoid possible injury. Read and follow all installation, operation, and maintenance information carefully before using the product. Refer to the user documentation for complete product specifications.

If the product is used in a manner not specified, the protection provided by the product warranty may be impaired.

The types of product users are:

**Responsible body** is the individual or group responsible for the use and maintenance of equipment, for ensuring that the equipment is operated within its specifications and operating limits, and for ensuring that operators are adequately trained.

**Operators** use the product for its intended function. They must be trained in electrical safety procedures and proper use of the instrument. They must be protected from electric shock and contact with hazardous live circuits.

**Maintenance personnel** perform routine procedures on the product to keep it operating properly, for example, setting the line voltage or replacing consumable materials. Maintenance procedures are described in the user documentation. The procedures explicitly state if the operator may perform them. Otherwise, they should be performed only by service personnel.

**Service personnel** are trained to work on live circuits, perform safe installations, and repair products. Only properly trained service personnel may perform installation and service procedures.

Keithley Instruments products are designed for use with electrical signals that are measurement, control, and data I/O connections, with low transient overvoltages, and must not be directly connected to mains voltage or to voltage sources with high transient overvoltages. Measurement Category II (as referenced in IEC 60664) connections require protection for high transient overvoltages often associated with local AC mains connections. Certain Keithley Instruments measuring instruments may be connected to mains. These instruments will be marked as category II or higher.

Unless explicitly allowed in the specifications, operating manual, and instrument labels, do not connect any instrument to mains.

Exercise extreme caution when a shock hazard is present. Lethal voltage may be present on cable connector jacks or test fixtures. The American National Standards Institute (ANSI) states that a shock hazard exists when voltage levels greater than 30 V RMS, 42.4 V peak, or 60 VDC are present. A good safety practice is to expect that hazardous voltage is present in any unknown circuit before measuring.

Operators of this product must be protected from electric shock at all times. The responsible body must ensure that operators are prevented access and/or insulated from every connection point. In some cases, connections must be exposed to potential human contact. Product operators in these circumstances must be trained to protect themselves from the risk of electric shock. If the circuit is capable of operating at or above 1000 V, no conductive part of the circuit may be exposed.

For maximum safety, do not touch the product, test cables, or any other instruments while power is applied to the circuit under test. ALWAYS remove power from the entire test system and discharge any capacitors before: connecting or disconnecting cables or jumpers, installing or removing switching cards, or making internal changes, such as installing or removing jumpers.

Do not touch any object that could provide a current path to the common side of the circuit under test or power line (earth) ground. Always make measurements with dry hands while standing on a dry, insulated surface capable of withstanding the voltage being measured.

For safety, instruments and accessories must be used in accordance with the operating instructions. If the instruments or accessories are used in a manner not specified in the operating instructions, the protection provided by the equipment may be impaired.


Do not exceed the maximum signal levels of the instruments and accessories. Maximum signal levels are defined in the specifications and operating information and shown on the instrument panels, test fixture panels, and switching cards.

Chassis connections must only be used as shield connections for measuring circuits, NOT as protective earth (safety ground) connections.

The **WARNING** heading in the user documentation explains dangers that might result in personal injury or death. Always read the associated information very carefully before performing the indicated procedure.



The **CAUTION** heading in the user documentation explains hazards that could damage the instrument. Such damage may invalidate the warranty.

The **CAUTION** heading with the  symbol in the user documentation explains hazards that could result in moderate or minor injury or damage the instrument. Always read the associated information very carefully before performing the indicated procedure. Damage to the instrument may invalidate the warranty.

Instrumentation and accessories shall not be connected to humans.

Before performing any maintenance, disconnect the line cord and all test cables.

To maintain protection from electric shock and fire, replacement components in mains circuits — including the power transformer, test leads, and input jacks — must be purchased from Keithley Instruments. Standard fuses with applicable national safety approvals may be used if the rating and type are the same. The detachable mains power cord provided with the instrument may only be replaced with a similarly rated power cord. Other components that are not safety-related may be purchased from other suppliers as long as they are equivalent to the original component (note that selected parts should be purchased only through Keithley Instruments to maintain accuracy and functionality of the product). If you are unsure about the applicability of a replacement component, call a Keithley Instruments office for information.

Unless otherwise noted in product-specific literature, Keithley Instruments instruments are designed to operate indoors only, in the following environment: Altitude at or below 2,000 m (6,562 ft); temperature 0 °C to 50 °C (32 °F to 122 °F); and pollution degree 1 or 2.

To clean an instrument, use a cloth dampened with deionized water or mild, water-based cleaner. Clean the exterior of the instrument only. Do not apply cleaner directly to the instrument or allow liquids to enter or spill on the instrument. Products that consist of a circuit board with no case or chassis (e.g., a data acquisition board for installation into a computer) should never require cleaning if handled according to instructions. If the board becomes contaminated and operation is affected, the board should be returned to the factory for proper cleaning/servicing.

Safety precaution revision as of June 2017.