

TEKBAT-XX Rechargeable Battery Instructions

Safety terms in this manual

These terms may appear in this manual:



WARNING: Warning statements identify conditions or practices that could result in injury or loss of life.



CAUTION: Caution statements identify conditions or practices that could result in damage to this product or other property.

Safety terms on the product

These terms may appear on the product:

- DANGER indicates an injury hazard immediately accessible as you read the marking.
- WARNING indicates an injury hazard not immediately accessible as you read the marking.
- CAUTION indicates a hazard to property including the product.

Symbols on the product



When this symbol is marked on the product, be sure to consult the manual to find out the nature of the potential hazards and any actions which have to be taken to avoid them. (This symbol may also be used to refer the user to ratings in the manual.)

The following symbol(s) may appear on the product.



CAUTION
Refer to Manual

Compliance information

This section lists the safety and environmental standards with which the instrument complies. This product is intended for use by professionals and trained personnel only; it is not designed for use in households or by children.

Direct compliance information inquiries to the following address:

Tektronix, Inc.

PO Box 500, MS 19-045

Beaverton, OR 97077, USA

tek.com

Environmental compliance

This section provides information about the environmental impact of the product.

Product end-of-life handling



This symbol indicates that this product complies with the applicable European Union requirements according to Directives 2012/19/EU and 2006/66/EC on waste electrical and electronic equipment (WEEE) and batteries. For information about recycling options, check the Tektronix Web site (www.tek.com/productrecycling).

Dispose of used battery promptly. Keep away from children. Do not disassemble and do not dispose of in fire.



CAUTION: The battery used in this device may present a risk of fire or chemical burn if mistreated. Do not disassemble, heat above 50°C, or incinerate. Replace battery with TEKBAT-XX only. Use of another battery may present a risk of fire or explosion.

Battery recycling

This lithium-ion rechargeable battery pack must be recycled or disposed of properly at its end of life.

- Lithium-ion batteries are subject to disposal and recycling regulations that vary by country and region. Always check and follow your applicable regulations before disposing of any battery. Contact Rechargeable Battery Recycling Corporation (www.rbcc.org) for U.S.A. and Canada, or your local battery recycling organization.
- Many countries prohibit the disposal of waste batteries in standard waste receptacles.
- Place only discharged batteries in a battery collection container. Use electrical tape or other approved covering over the battery connection points to prevent short circuits.

Transporting batteries

This small lithium rechargeable battery does not exceed a capacity of 100 Wh per battery or 20 Wh per component cell. Each battery type has been shown by the manufacturer to comply with the applicable requirements of the UN Manual of Tests and Criteria Part III, Subsection 38.3 and may not be shipped by air at a state of charge greater than 30% of its rated capacity unless packed with or installed in the associated equipment that it powers. Consult your carrier to determine which lithium battery transportation requirements are applicable to your configuration, including to its re-packaging and re-labeling, prior to reshipment of the product by any mode of transport.

Introduction

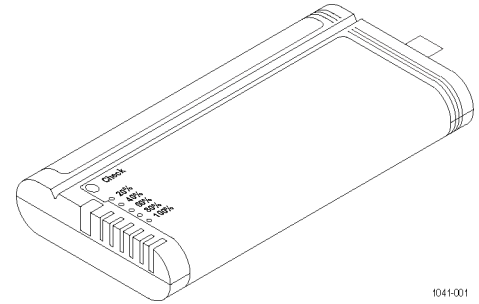
The TEKBAT-XX rechargeable battery is intended for use with specifically-designed Tektronix products. The battery consists of an array of lithium-ion cells and an internal battery controller device, including internal fault protection.



Note: The TEKBAT-XX battery and TEKCHG-XX external battery charger are the replacement products for the WFM200BA battery and WFM200BC external battery charger. The TEKBAT-XX battery supports charging in the TEKCHG-XX or legacy WFM200BC external battery charger.

Refer to your instrument's documentation to ensure this is the proper battery for your instrument.

When the battery is not installed in an instrument, you can check the battery charge level by pressing the Check button on the back of the battery. LEDs illuminate to indicate the amount of charge in increments of approximately 20%.



1041-001



Note: For optimum performance, charge the battery completely before using it for the first time or after prolonged storage.

Battery maintenance guidelines

The TEKBAT-XX lithium-ion rechargeable battery requires routine maintenance and care in its use and handling. Be sure to use the following guidelines to safely use the TEKBAT-XX lithium-ion batteries and achieve the maximum battery life span.

Battery considerations

Do not leave a battery unused for an extended period of time, either in the product or in storage. When a battery has been unused for six months, check the charge status, and charge or dispose of the battery as appropriate. See *Charging the battery* and *Battery recycling*.

The typical estimated life of a lithium-ion battery is about two to three years, or 300 to 500 charge cycles, whichever occurs first.

A rechargeable lithium-ion battery has a limited life and will gradually lose its capacity to hold a charge. This loss of capacity (aging) is irreversible. As the battery loses capacity, the length of time it will power the product (run time) decreases.

A lithium-ion battery continues to slowly discharge (self-discharge) when not in use or while in storage. You need to routinely check the charge status of the battery.

Only use the battery in approved Tektronix instruments.

Battery maintenance

- Observe and note the run time that a new fully-charged battery provides for powering your product. You can use this new battery run time as a basis to compare run times for older batteries. The run time of your battery will vary depending on the product's configuration and the applications that you run.
- The battery gives the best performance when operated at normal room temperature, 20°C ±5°C (68°F ±9°F).
- Routinely check the charge status of the battery.
- Carefully monitor a battery that is approaching the end of its estimated life.
- Consider replacing the battery with a new one if the battery run time drops below about 80% of the original run time, or the battery charge time increases significantly.
- Follow the storage requirements if you store or do not use a battery for an extended period. If you do not follow the storage requirements, and the battery will not power the instrument when installed, consider the battery to be damaged. Do not connect power to the instrument during this time. Remove the battery from the instrument. Do not attempt to recharge or reuse the battery. Replace it with a new battery.



071-3768-00

General safety summary

Use the product only as specified. Review the following safety precautions to avoid injury and prevent damage to this product or any products connected to it. Carefully read all instructions. Retain these instructions for future reference.

This product shall be used in accordance with local and national codes.

For correct and safe operation of the product, it is essential that you follow generally accepted safety procedures in addition to the safety precautions specified in this manual.

The product is designed to be used by trained personnel only.

To avoid fire or personal injury

Do not operate with suspected failures.

If you suspect that there is damage to this product, have it inspected by qualified service personnel.

Disable the product if it is damaged. Do not use the product if it is damaged or operates incorrectly. If in doubt about safety of the product, turn it off and disconnect the power cord. Clearly mark the product to prevent its further operation.

Examine the exterior of the product before you use it. Look for cracks or missing pieces.

Replace battery properly.

Replace batteries only with the specified type and rating.

Recharge battery properly.

Recharge the battery only for the recommended charge cycle at the recommended temperature.

Use proper battery charger.

Use only the Tektronix external battery charger or an approved Tektronix instrument to charge the battery.

Do not operate in wet/damp conditions.

Be aware that condensation may occur if a unit is moved from a cold to a warm environment.

Do not operate in an explosive atmosphere.

Keep product surfaces clean and dry.

Remove the input signals before you clean the product.

Do not attempt to service this product.


There are no serviceable components in the battery.

Battery charging

The battery charges automatically when installed in an approved Tektronix instrument that is connected to an external power supply. You can also charge the battery with the Tektronix external battery charger (TEKCHG-XX). Remove the battery from the charger when charging is complete.


A lithium-ion battery will self-discharge during non-use. To achieve the longest operating time, charge your battery before use. If you plan to store batteries, read the instructions in the *Battery storage* section of this document.

Configuration	Typical charging time
One fully discharged battery charging in the instrument.	Time varies per instrument type and the instrument's power usage while charging. See instrument user manual for charge time.
One or two fully discharged batteries charging in the Tektronix external battery charger	5 hours

 **CAUTION:** To avoid damage to the battery, use only the Tektronix external battery charger or an approved instrument to charge the battery. Do not connect any other voltage source to the battery.

For optimum performance, charge the battery completely before using it for the first time or after prolonged storage.

To discharge the battery completely, continue to run the instrument on the battery until automatic shutdown occurs. After the instrument shuts down, either recharge the battery promptly or remove it from the instrument until you are ready to recharge the battery.

 **Note:** To prolong the life of the battery and to prevent shutdown, do not operate or charge the battery at high temperatures. For best results, allow the battery to cool to room temperature before using or charging the battery.

Do not leave a battery discharged for extended periods. See the *Storing batteries* section for information on how to properly store a battery.

The battery stops charging under the following conditions:

- The battery is fully charged.
- The internal temperature of the battery exceeds the safe charging threshold.
- A fault condition occurs.

The battery shuts down and disconnects itself from the instrument under the following conditions:

- The battery is fully discharged.
- The internal temperature of the battery exceeds the safe discharging threshold.
- A fault condition occurs.

Battery handling

- Do not disassemble, crush, drop, or puncture the battery.
- Do not short the external contacts on the battery.
- Do not expose the battery to fire or water.
- Do not expose the battery to temperatures above +60°C (+140°F).
- Seek medical advice if a battery or part of it has been swallowed.
- Do not put batteries near heat or fire. Do not put in sunlight.
- Keep the battery clean and dry. Clean dirty connectors with a dry, clean cloth.
- Batteries contain hazardous chemicals that can cause burns or explode. If exposure to chemicals occurs, clean with soap and water and get medical aid. Repair the product before use if the battery leaks.
- Do not attempt to open, modify, reform or repair a battery that appears to be malfunctioning, or which has been physically damaged.
- Keep the battery away from children and animals.
- Avoid exposing the battery to excessive shock or vibration.
- Do not use a damaged battery or charger.
- If a battery has leaking fluids, do not touch any fluids. Dispose of a leaking battery. See the *Battery recycling* section for information on disposal and recycling.
- In case of eye contact with fluid, do not rub eyes. Immediately flush eyes thoroughly with water for at least 15 minutes, lifting upper and lower lids, until no evidence of the fluid remains. Seek medical attention.

Battery storage

- Store batteries in a low-humidity environment free of corrosive gases. Storing batteries in high-humidity environments, or outside the temperature range, can cause oxidation on the metallic parts, increased leakage, significant aging and premature failure.
- Do not store batteries near heat or fire. Do not store in the sunlight.
- Do not keep batteries in a place where the terminals can be shorted by metal objects (for example, coins, paper clips, or pens).
- Do not remove a battery from its original packaging until required for use.
- When possible remove the battery from the equipment when not in use.
- Charge the battery to approximately 50% of capacity at least once every six months.
- Remove the battery and store it separately from the instrument. Refer to the documentation for your instrument for instructions on removing and installing the battery.
- For optimal battery life, store the battery at temperatures between +5°C and +25°C (+41°F and +77°F). Higher temperatures reduce the battery storage life.

Battery replacement

Replace the lithium-ion battery only with a TEKBAT-XX battery.

See the *Battery recycling* section for information on disposal and recycling.

Specifications

Characteristic	Description
Capacity, typical	6.7 Ah (97.28 Wh)
Output, nominal	14.52 V
Charge temperature	0°C to +45°C (+32°F to +113°F); varies per charging current and battery heat dissipation characteristics. The actual limit may be lower. Tektronix recommends using the TEKCHG-XX external battery charger to charge the TEKBAT-XX batteries in ambient environments greater than +30°C.
Discharge temperature	-20°C to +60°C (-4°F to +140°F); varies per the discharge current and battery heat dissipation characteristics. The actual limit may be lower.
Storage temperature	-20°C to +35C (-4°F to +95°F)
Weight	Battery: approximately 447.4 g (15.78 oz) Battery (including packaging): approximately 564 g (19.89 oz)

Copyright © Tektronix. All rights reserved. Licensed software products are owned by Tektronix or its subsidiaries or suppliers, and are protected by national copyright laws and international treaty provisions. Tektronix products are covered by U.S. and foreign patents, issued and pending. Information in this publication supersedes that in all previously published material. Specifications and price change privileges reserved.

TEKTRONIX and TEK are registered trademarks of Tektronix, Inc.

Contacting Tektronix

Tektronix, Inc.

14150 SW Karl Braun Drive

P.O. Box 500

Beaverton, OR 97077

USA

For product information, sales, service, and technical support:

- In North America, call 1-800-833-9200.
- Worldwide, visit to www.tek.com find contacts in your area.

Warranty

For warranty information, go to www.tek.com/warranty-status-search

TEKBAT-XX Anleitung für Akkus

Nicht in einer explosionsfähigen Atmosphäre betreiben.

Sorgen Sie für saubere und trockene Produktoberflächen.

Entfernen Sie die Eingangssignale, bevor Sie das Produkt reinigen.

Versuchen Sie nicht, dieses Produkt zu warten.

Der Akku enthält keine zu wartenden Komponenten.

Sicherheitshinweise in diesem Handbuch

In diesem Handbuch werden die folgenden Begriffe verwendet:



WARNUNG: Warnungen weisen auf Bedingungen oder Verfahrensweisen hin, die eine Verletzungs- oder Lebensgefahr darstellen.



ACHTUNG: Vorsichtshinweise machen auf Bedingungen oder Verfahrensweisen aufmerksam, die zu Schäden am Gerät oder zu sonstigen Sachschäden führen können.

Sicherheitsrelevante Begriffe am Gerät

Am Gerät sind eventuell die folgenden Begriffe zu sehen:

- **GEFAHR** weist auf eine Verletzungsgefahr hin, die mit der entsprechenden Hinweisstelle unmittelbar in Verbindung steht.
- **WARNUNG** weist auf eine Verletzungsgefahr hin, die nicht unmittelbar mit der entsprechenden Hinweisstelle in Verbindung steht.
- **VORSICHT** weist auf mögliche Sach- oder Geräteschäden hin.

Symbole am Gerät



Ist das Gerät mit diesem Symbol gekennzeichnet, lesen Sie unbedingt im Handbuch nach, welcher Art die potenziellen Gefahren sind und welche Maßnahmen zur Vermeidung derselben zu treffen sind. (In einigen Fällen wird das Symbol aber auch verwendet, um den Benutzer darauf hinzuweisen, dass im Handbuch Kennwerte zu finden sind.)

Am Gerät sind eventuell die folgenden Symbole zu sehen:



VORSICHT
Beachten Sie die Hinweise im Handbuch

Informationen zur Einhaltung von Vorschriften

In diesem Abschnitt werden die vom Gerät erfüllten Normen hinsichtlich Sicherheit und Umweltschutz aufgeführt. Dieses Produkt ist lediglich für einen Einsatz durch Fachleute und geschultes Personal ausgelegt; es ist nicht für einen Einsatz zu Hause oder durch Kinder vorgesehen.

Anfragen zu Compliance-Informationen richten Sie bitte an die folgende Adresse:

Tektronix, Inc.

PO Box 500, MS 19-045

Beaverton, OR 97077, USA

tek.com

Einhaltung von Umweltschutzbestimmungen

In diesem Abschnitt finden Sie Informationen zu den Auswirkungen des Geräts auf die Umwelt.

Produktentsorgung



Dieses Symbol kennzeichnet Produkte, die den Bestimmungen der Europäischen Union gemäß den Richtlinien 2012/19/EU und 2006/66/EG für Elektro- und Elektronik-Altgeräte und Batterien entsprechen. Informationen zu Recyclingmöglichkeiten finden Sie auf der Tektronix-Website (www.tek.com/productrecycling).

Verbrauchte Akkus sofort entsorgen. Von Kindern fernhalten. Nicht auseinandernehmen und nicht ins Feuer werfen.



ACHTUNG: Der in diesem Gerät verwendete Akku kann bei unsachgemäßer Handhabung einen Brand oder chemische Verbrennungen verursachen. Nicht zerlegen, über 50 °C erhitzen oder anzünden. Ersetzen Sie den Akku nur durch TEKBAT-XX. Die Verwendung eines anderen Akkus kann zu Brand- oder Explosionsgefahr führen.

Akkurecycling Dieses wiederaufladbare Lithium-Ionen-Batteriepaket muss am Ende der Lebensdauer recycelt oder sachgerecht entsorgt werden.

- Lithium-Ionen-Akkus müssen entsprechend den im jeweiligen Land oder in der jeweiligen Region geltenden Vorschriften recycelt oder entsorgt werden. Entsorgen Sie Akkus ausschließlich gemäß den gültigen Entsorgungsvorschriften. In den USA und Kanada wenden Sie sich bitte an die Rechargeable Battery Recycling Corporation (www.rbcc.org) oder Ihr örtliches Batterieentsorgungsunternehmen.
- In vielen Ländern ist die Entsorgung von Altbatterien mit dem Hausmüll verboten.
- Bitte geben Sie nur entladene Batterien in den Batteriesammelbehälter. Decken Sie die Batteriekontakte mit Isolierband oder anderen

geeigneten Abdeckungen ab, um Kurzschlüsse zu verhindern.

Transportieren der Akkus

Dieser kleine Lithium-Akku hat eine Kapazität von maximal 100 Wh pro Akku bzw. 20 Wh pro Komponentenzelle. Der Hersteller des jeweiligen Akkutyps bestätigt, dass der Akkutyp die Anforderungen des UN-Handbuchs über Prüfungen und Kriterien, Teil III, Teilabschnitt 38.3, erfüllt. Der Akkutyp darf bei einem Ladezustand über 30 % nur dann per Luftfracht transportiert werden, wenn er mit dem verknüpften Gerät verpackt bzw. darin installiert ist. Informieren Sie sich vor dem erneuten Versenden des Produkts mit einem beliebigen Verkehrsmittel bei Ihrem Transportunternehmen über die Anforderungen in Bezug auf den Transport von Lithium-Akkus, die für Ihre Konfiguration anwendbar sind, einschließlich Anforderungen zur erneuten Verpackung oder Kennzeichnung.

Einleitung

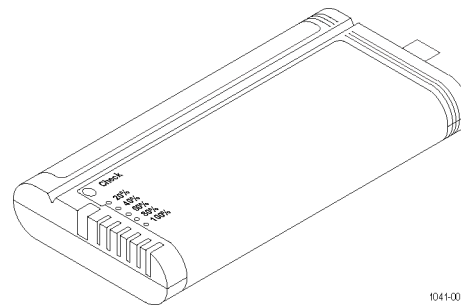
Der wiederaufladbare Akku TEKBAT-XX ist für den Einsatz mit speziell entwickelten Tektronix Produkten vorgesehen. Der Akku besteht aus einer Reihe von Lithium-Ionen-Zellen und einem internen Akku-Controller, einschließlich internem Fehlerschutz.



Anmerkung: Der Akku TEKBAT-XX und das externe Ladegerät TEKCHG-XX sind die Ersatzprodukte für den Akku WFM200BA und das externe Ladegerät WFM200BC. Der TEKBAT-XX-Akku kann mit dem externen Ladegerät TEKCHG-XX oder dem älteren externen Ladegerät WFM200BC aufgeladen werden.

Schlagen Sie in der Dokumentation zu Ihrem Gerät nach, um sicherzustellen, dass es sich um den richtigen Akku für Ihr Gerät handelt.

Wenn der Akku nicht in ein Gerät eingesetzt ist, können Sie den Ladezustand des Akkus überprüfen, indem Sie die Prüf-Taste auf der Rückseite des Akkus drücken. Die LEDs leuchten auf, um die Ladung in Schritten von ca. 20 % anzuzeigen.



Anmerkung: Um eine optimale Leistung zu erzielen, laden Sie vor der ersten Verwendung oder nach längerem Lagern den Akku vollständig auf.

Richtlinien für die Akkewartung

Die wiederaufladbaren TEKBAT-XX-Lithium-Ionen-Akkus müssen regelmäßig gewartet werden und erfordern sachgemäße Verwendung und Pflege. Beachten Sie diese Richtlinien zur sachgemäßen Verwendung von TEKBAT-XX-Lithium-Ionen-Akkus. Auf diese Weise erreichen Ihre Akkus die maximale Lebensdauer.

Hinweise zum Akku

Akkus dürfen nicht zu lange unbenutzt bleiben, weder im Produkt noch durch Lagerung. Wurde ein Akku über einen Zeitraum von sechs Monaten nicht benutzt, prüfen Sie den Ladezustand, und laden oder entsorgen Sie den Akku vorschriftsmäßig. Siehe *Aufladen des Akkus* und *Akkurecycling*.

Die typische Lebensdauer von Lithium-Ionen-Akkus entspricht etwa zwei bis drei Jahren oder 300 bis 500 Lade-/Entladezyklen.

Die Lebensdauer eines wiederaufladbaren Lithium-Ionen-Akkus ist begrenzt, und die Ladekapazität des Akkus nimmt allmählich ab. Diese Abnahme an Ladekapazität (Alterung) kann nicht rückgängig gemacht werden. Mit abnehmender Ladekapazität des Akkus verringert sich auch die verfügbare Zeit, in der der Akku das Produkt mit Strom versorgen kann (Akkulaufzeit).

Wird ein Lithium-Ionen-Akku gelagert bzw. nicht benutzt, entlädt er sich langsam (Selbstentladung). Prüfen Sie regelmäßig den Ladezustand des Akkus.

Verwenden Sie den Akku nur in zugelassenen Tektronix Instrumenten.

Wartung des Akkus

- Notieren Sie sich die Akkulaufzeit eines neuen, vollständig geladenen Akkus für Ihr Produkt. Diese Akkulaufzeit können Sie als Basis für einen Laufzeitvergleich mit älteren Akkus verwenden. Die Akkulaufzeit variiert je nach der Produktkonfiguration und den von Ihnen genutzten Anwendungen.
- Der Akku bringt die beste Leistung, wenn er bei einer normalen Zimmertemperatur von 20 °C ± 5 °C (68 °F ± 9 °F) betrieben wird.
- Prüfen Sie regelmäßig den Ladezustand des Akkus.
- Überwachen Sie Akkus, die sich dem Ende Ihrer geschätzten Lebensdauer nähern.
- Ziehen Sie in Erwägung, den Akku durch einen neuen zu ersetzen, wenn die Akkulaufzeit unter 80 % des ursprünglichen Werts sinkt oder die benötigte Zeit zum Laden des Akkus erheblich ansteigt.
- Beachten Sie die Vorschriften zur Lagerung, wenn der Akku für einen längeren Zeitraum nicht benutzt wird. Wenn Sie die Vorschriften zur Lagerung nicht beachten und der Akku das Gerät nach dem Einsetzen nicht mit Strom versorgt, dann ist der Akku höchstwahrscheinlich defekt. Schließen Sie währenddessen keine Wechselstromversorgung an das Gerät an. Entfernen Sie die Akkuabdeckung vom Gerät. Versuchen Sie nicht, den Akku wieder



071-3768-00

Allgemeine Sicherheitsübersicht

Verwenden Sie dieses Gerät nur gemäß Spezifikation. Beachten Sie zum Schutz vor Verletzungen und zur Verhinderung von Schäden an diesem Gerät oder an daran angeschlossenen Geräten die folgenden Sicherheitshinweise. Lesen Sie alle Anweisungen sorgfältig durch. Bewahren Sie diese Anweisungen auf, damit Sie später darin nachlesen können.

Das Produkt muss unter Einhaltung lokaler und nationaler Vorschriften verwendet werden.

Für einen sachgemäßen und sicheren Betrieb des Geräts ist es ganz wesentlich, dass Sie neben den in diesem Handbuch aufgeführten Sicherheitshinweisen auch allgemeingültige Sicherheitsmaßnahmen zu ergreifen.

Das Gerät ist ausschließlich für den Gebrauch durch geschultes Personal konzipiert.

Brand- und Verletzungsverhütung

Gerät nicht betreiben, wenn ein Defekt vermutet wird.

Wenn Sie vermuten, dass das Gerät beschädigt ist, lassen Sie es von qualifiziertem Wartungspersonal überprüfen.

Ist das Gerät beschädigt, deaktivieren Sie es. Verwenden Sie das Produkt nur, wenn es keine Schäden aufweist und ordnungsgemäß funktioniert. Sollten Sie Zweifel an der Sicherheit des Gerätes haben, schalten Sie es ab und ziehen Sie das Netzkabel ab. Kennzeichnen Sie das Gerät entsprechend, um zu verhindern, dass es erneut in Betrieb genommen wird.

Prüfen Sie das Gerät vor dem Gebrauch auf äußerliche Unversehrtheit. Halten Sie Ausschau nach Rissen oder fehlenden Teilen.

Ordnungsgemäßes Austauschen der Akkus.

Ersetzen Sie die Akkus nur mit Akkus des angegebenen Typs und mit den geeigneten Kennwerten.

Akku ordnungsgemäß aufladen.

Überschreiten Sie nicht die empfohlene Ladezeit und Temperatur für das Laden des Akkus.

Geeignetes Ladegerät verwenden.

Verwenden Sie zum Aufladen des Akkus nur das externe Tektronix Akkuladegerät oder ein zugelassenes Tektronix Gerät.

Nicht bei hoher Feuchtigkeit oder bei Nässe betreiben.

Bedenken Sie, dass bei einem Wechsel von einer kalten in eine warme Umgebung Kondensationserscheinungen am Gerät auftreten können.

aufzuladen oder wieder zu verwenden. Ersetzen Sie den Akku durch einen neuen.

Laden des Akkus

Der Akku wird automatisch aufgeladen, wenn er in ein zugelassenes Tektronix Gerät eingesetzt wird, das an eine externe Stromversorgung angeschlossen ist. Sie können den Akku auch mit dem optionalen externen Tektronix -Ladegerät (TEKCHG-XX) aufladen. Nehmen Sie den Akku aus dem Ladegerät, wenn der Ladevorgang abgeschlossen ist.

Ein Lithium-Ionen-Akku entlädt sich, wenn er nicht benutzt wird. Um die größtmögliche Betriebsdauer im Akkubetrieb zu erreichen, laden Sie den Akku vor der Verwendung. Wenn Sie Akkus lagern möchten, lesen Sie die Anweisungen im Abschnitt *Lagerung der Akkus* in diesem Dokument.

Konfiguration	Typische Ladezeit
Ein vollständig entladener Akku wird im Gerät geladen.	Die Zeit variiert je nach Instrumententyp und Strombedarf des Geräts während des Ladevorgangs. Die Ladedauer ist dem Benutzerhandbuch des Geräts zu entnehmen.

Ein oder zwei vollständig entladene

Akkus werden im externen Tektronix Akkuladegerät geladen



ACHTUNG: Verwenden Sie zum Aufladen des Akkus nur das externe Tektronix Akkuladegerät oder ein zugelassenes Gerät, um Schäden am Akku zu vermeiden. Schließen Sie keine andere Spannungsquelle an den Akku an.

Um eine optimale Leistung zu erzielen, laden Sie vor der ersten Verwendung oder nach längerem Lagern den Akku vollständig auf.

Um den Akku vollständig zu entladen, betreiben Sie das Gerät bis zur automatischen Abschaltung über den Akku. Nachdem das Gerät heruntergefahren wurde, laden Sie den Akku entweder sofort auf, oder entfernen Sie ihn aus dem Gerät, bis Sie bereit sind, den Akku wieder aufzuladen.



Anmerkung: Um die Lebensdauer des Akkus zu verlängern und eine Störung zu vermeiden, sollten Sie den Akku nicht bei hohen Temperaturen verwenden oder aufladen. Optimale Ergebnisse werden erzielt, wenn Sie den Akku vor dem Verwenden oder Aufladen auf Raumtemperatur abkühlen lassen.

Akkus dürfen nicht über einen längeren Zeitraum im entladenen Zustand verbleiben. Im Abschnitt *Lagern von Akkus* finden Sie Informationen dazu, wie Sie einen Akku ordnungsgemäß lagern.

Der Ladevorgang des Akkus wird unter folgenden Bedingungen beendet:

- Der Akku ist vollständig aufgeladen.
- Die Innentemperatur des Akkus überschreitet den Grenzwert für sicheres Laden.
- Es tritt ein Fehlerzustand auf.

Die Abschaltung des Akkus und die selbständige Trennung der Verbindung zum Gerät erfolgt unter folgenden Bedingungen:

- Der Akku ist vollständig entladen.
- Die Innentemperatur des Akkus überschreitet die sichere Entladungsschwelle.
- Es tritt ein Fehlerzustand auf.

Handhabung der Akkus

- Zerlegen oder zerstören Sie den Akku nicht, und stechen Sie keine Löcher hinein.
- Schließen Sie die externen Kontakte des Akkus nicht kurz.
- Setzen Sie den Akku niemals Feuer oder Wasser aus.
- Setzen Sie den Akku keinen Temperaturen über +60 °C (+140 °F) aus.
- Konsultieren Sie einen Arzt, wenn ein Akku oder ein Teil davon verschluckt wurde.
- Akkus nicht in die Nähe von Wärmequellen oder Feuer bringen. Sonneneinstrahlung vermeiden.
- Akku sauber und trocken halten. Verschmutzte Anschlüsse mit einem trockenen, sauberen Tuch reinigen.
- Akkus enthalten gefährliche Chemikalien, die zu Verätzungen führen oder explodieren können. Waschen Sie bei Kontakt mit Chemikalien die Kontaktstellen mit Wasser ab, und konsultieren Sie einen Arzt. Reparieren Sie das Produkt vor der Verwendung, wenn der Akku undicht ist.
- Versuchen Sie nicht, einen Akku, der nicht funktioniert oder der beschädigt wurde, zu öffnen, zu modifizieren, umzugestalten oder zu reparieren.
- Bewahren Sie den Akku außerhalb der Reichweite von Kindern und Tieren auf.
- Setzen Sie den Akku keinen starken Stößen oder Vibrationen aus.
- Verwenden Sie keinen beschädigten Akku bzw. kein beschädigtes Akkuladegerät.
- Falls aus einem Akku Flüssigkeiten austreten, vermeiden Sie es, mit diesen in Berührung zu kommen. Entsorgen Sie undichte Akkus. Im Abschnitt *Akkurecycling* finden Sie weitere Informationen zu Entsorgung und Recycling.
- Augen nicht reiben, falls ausgetretene Flüssigkeit in die Augen gelangt. Augen sofort mindestens 15 Minuten lang gründlich mit Wasser spülen und dabei das obere und das untere Augenlid anheben. Die Spülung so lange fortsetzen, bis keine Spuren der Flüssigkeit mehr erkennbar sind. Einen Arzt konsultieren.

Akkulagerung

- Lagern Sie Akkus in einer Umgebung mit geringer Luftfeuchtigkeit, die frei von korrodierenden Gasen ist. Wenn Akkus in Umgebungen mit hoher Luftfeuchtigkeit oder bei Temperaturen außerhalb des genannten Bereichs gelagert werden, können Metallteile korrodieren, und es kann zu Undichtigkeiten, schneller Alterung und vorzeitigem Ausfall kommen.
- Lagern Sie Akkus nicht in der Nähe von Wärmequellen oder Feuer. Lagern Sie den Akku nicht bei direkter Sonneneinstrahlung.
- Lagern Sie Akkus nicht an einem Ort, an dem die Anschlüsse durch Metallobjekte (Münzen, Büroklammern, Stifte o. ä.) kurzgeschlossen werden können.
- Entfernen Sie den Akku nicht aus der Originalverpackung, bevor er verwendet wird.
- Entfernen Sie den Akku möglichst aus dem Gerät, wenn dieses nicht verwendet wird.
- Laden oder entladen Sie Akkus mindestens alle sechs Monate auf etwa 50 % ihrer Kapazität.
- Entnehmen Sie den Akku, und lagern Sie ihn getrennt vom Gerät. Anweisungen zum Entfernen und Einsetzen des Akkus finden Sie in der Dokumentation zu Ihrem Gerät.
- Um die maximale Akkulebensdauer sicherzustellen, lagern Sie den Akku bei einer Temperatur zwischen +5 und +25 °C (+41 °F and +77 °F). Höhere Temperaturen verringern die Lebensdauer des Akkus.

Akkuwechsel

Ersetzen Sie den Lithium-Ionen-Akku nur durch einen TEKBAT-XX-Akku.

Im Abschnitt *Akkurecycling* finden Sie weitere Informationen zu Entsorgung und Recycling.

Technische Daten

Eigenschaften	Beschreibung
Kapazität, typisch	6,7 Ah (97,28 Wh)
Leistung, nominal	14,52 V
Ladetemperatur	0 °C bis +45 °C (+32 °F bis +113 °F); variiert je nach Ladestrom und Wärmeableitungseigenschaften des Akkus. Der tatsächliche Grenzwert kann niedriger sein. Tektronix empfiehlt die Verwendung des externen Akkuladegeräts TEKCHG-XX, um die TEKBAT-XX-Akkus in Umgebungen mit einer Umgebungstemperatur von über 30 °C aufzuladen
Entladetemperatur	20 °C bis 60 °C (-4 °F bis +140 °F); variiert je nach Entladestrom und Wärmeableitungseigenschaften des Akkus. Der tatsächliche Grenzwert kann niedriger sein.
Lagertemperatur	-20 °C bis +35 °C (-4 °F bis +95 °F)
Gewicht	Akku: ca. 447,4 g (15.78 oz) Akku (einschließlich Verpackung): ca. 564 g (19,89 oz)

Copyright © Tektronix. Alle Rechte vorbehalten. Lizenzierte Software-Produkte stellen Eigentum von Tektronix oder Tochterunternehmen bzw. Zulieferern des Unternehmens dar und sind durch das nationale Urheberrecht und die Bestimmungen internationaler Verträge geschützt. Tektronix-Produkte sind durch erteilte und angemeldete Patente in den USA und anderen Ländern geschützt. Die Informationen in dieser Veröffentlichung ersetzen alle in bisher veröffentlichten Materialien enthaltenen Informationen. Änderungen der Spezifikationen und der Preisgestaltung vorbehalten.

TEKTRONIX und TEK sind eingetragene Marken der Tektronix, Inc.

Tektronix-Kontaktinformationen

Tektronix, Inc.

14150 SW Karl Braun Drive

P.O. Box 500

Beaverton, OR 97077

USA

Informationen zu diesem Produkt und dessen Verkauf sowie zum Kundendienst und technischen Support erhalten Sie:

- In Nordamerika unter der Rufnummer 1-800-833-9200.
- Besuchen Sie für andere Regionen www.tek.com, um einen Ansprechpartner in Ihrer Nähe zu finden.

Warranty

For warranty information, go to www.tek.com/warranty-status-search

Instructions relatives à la batterie rechargeable TEKBAT-XX

N'essayez pas de réparer ce produit vous-même.

La batterie ne contient aucun composant réparable.

Termes de sécurité dans ce manuel

Les mentions suivantes peuvent figurer dans ce manuel :



AVERTISSEMENT : Les avertissements identifient des situations ou des opérations pouvant entraîner des blessures graves ou mortelles.



ATTENTION : Les mises en garde identifient des situations ou des opérations susceptibles d'endommager le matériel ou d'autres équipements.

Termes de sécurité relatifs au produit

Les mentions suivantes peuvent figurer sur le produit :

- « DANGER » indique un risque de blessure immédiate à la lecture de l'étiquette.
- « AVERTISSEMENT » indique un risque de blessure non immédiate à la lecture de l'étiquette.
- « PRÉCAUTION » indique un risque de dommage matériel, y compris du produit.

Symboles figurant sur le produit



Lorsque ce symbole est apposé sur le produit, consultez le manuel pour rechercher la nature des dangers potentiels et les mesures à prendre pour les éviter. (Ce symbole peut également être utilisé pour indiquer à l'utilisateur les caractéristiques nominales figurant dans le manuel.)

Les symboles suivants peuvent figurer sur le produit.



MISE EN GARDE
Reportez-vous au manuel

Conformité

Ce paragraphe répertorie les normes de sécurité et d'environnement auxquelles cet instrument est conforme. Ce produit est destiné à être utilisé uniquement par des professionnels et du personnel qualifié et n'est pas conçu pour être utilisé en environnement domestique ou par des enfants.

Veillez envoyer vos demandes d'informations sur la conformité à l'adresse suivante :

Tektronix, Inc.

PO Box 500, MS 19-045

Beaverton, OR 97077, É.-U.

tek.com

Conformité environnementale

Ce paragraphe fournit des informations sur l'impact environnemental de ce produit.

Recyclage du produit



Ce symbole indique que ce produit respecte les exigences applicables de l'Union européenne, conformément aux directives 2012/19/CE et 2006/66/CE relatives aux déchets d'équipements électriques et électroniques (DEEE), et aux batteries. Pour en savoir plus sur les options de recyclage, consultez le site Web de Tektronix (www.tek.com/productrecycling).

Jetez rapidement la batterie usagée. Tenez le produit hors de portée des enfants. Ne démontez pas le produit et ne le jetez pas au feu.



ATTENTION : La batterie utilisée dans cet appareil peut présenter un risque d'incendie ou de brûlure chimique en cas de mauvaise utilisation. Ne démontez pas le produit, ne le chauffez pas à plus de 50 °C et ne l'incinerez pas. Remplacez la batterie par un produit TEKBAT-XX uniquement. L'utilisation d'une autre batterie peut présenter un risque d'incendie ou d'explosion.

Recyclage de la batterie Cette batterie rechargeable lithium-ion doit être recyclée ou mise au rebut de façon adéquate.

- Les batteries lithium-ion sont soumises aux législations relatives au recyclage et à la mise au rebut, qui varient selon les pays et les régions. Consultez et respectez toujours les législations en vigueur avant de mettre une batterie au rebut. Contactez la société Rechargeable Battery Recycling Corporation (www.rbrc.org) aux États-Unis et au Canada, ou votre organisme local de recyclage des batteries.
- De nombreux pays interdisent la mise au rebut des batteries dans les conteneurs standard.
- Placez uniquement des batteries déchargées dans un conteneur de collecte de batteries. Utilisez du ruban isolant ou un autre isolant autorisé sur les points de connexion de la batterie pour éviter les courts-circuits.

Transport des batteries

La capacité de cette petite batterie rechargeable au lithium n'excède pas 100 Wh par batterie ou 20 Wh par pile. Le fabricant a démontré que chaque type de batterie est conforme aux exigences applicables du Manuel d'épreuves et de critères des Nations Unies Partie III Section 38.3. La batterie ne doit pas être transportée par voie aérienne avec un niveau de charge supérieur à 30 % de sa capacité nominale si elle n'est pas emballée avec ou installée dans l'équipement associé qu'elle alimente. Consultez votre transporteur pour connaître les exigences applicables à votre configuration en matière de transport de batteries au lithium, notamment pour le emballage et la pose de nouvelles étiquettes avant de renvoyer le produit par n'importe quel mode de transport.

Introduction

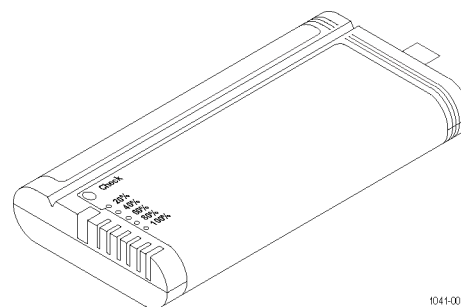
La batterie rechargeable TEKBAT-XX est conçue pour une utilisation avec des produits Tektronix spécialement conçus à cet effet. La batterie se compose d'un ensemble de cellules au lithium-ion et d'un contrôleur de batterie interne, y compris une protection contre les pannes internes.



Remarque : La batterie TEKBAT-XX et le chargeur de batterie externe TEKCHG-XX sont des produits de remplacement pour la batterie WFM200BA et le chargeur de batterie externe WFM200BC. La batterie TEKBAT-XX peut se recharger dans le chargeur de batterie externe TEKCHG-XX ou tout ancien chargeur WFM200BC.

Reportez-vous à la documentation de votre instrument pour vous assurer qu'il s'agit de la batterie adaptée à votre instrument.

Lorsque la batterie n'est pas installée dans un instrument, vous pouvez vérifier son niveau de charge en appuyant sur le bouton de vérification situé à l'arrière de la batterie. Les LED s'allument pour indiquer la quantité de charge par incréments d'environ 20 %.



Remarque : Pour des performances maximales, chargez complètement la batterie avant de l'utiliser pour la première fois ou après un stockage prolongé.

Recommandations de maintenance de la batterie

Les batteries rechargeables ion-lithium TEKBAT-XX nécessitent un entretien et un soin réguliers dans leur utilisation et leur manipulation. Suivez les recommandations suivantes afin d'utiliser les batteries lithium-ion TEKBAT-XX en toute sécurité et d'obtenir la meilleure durée de vie des batteries.

Considérations relatives à la batterie

Ne laissez pas les batteries inutilisées pendant une longue période, que ce soit dans le produit ou en stockage. Lorsqu'une batterie n'a pas été utilisée pendant six mois, vérifiez son état de charge et chargez-la ou mettez-la au rebut selon le cas. Consultez les sections *Charge de la batterie* et *Recyclage de la batterie*.

La durée de vie classique estimée d'une batterie lithium-ion est de 300 à 500 cycles de charge ou au maximum deux à trois ans.

Une batterie rechargeable lithium-ion a une durée de vie limitée et perd progressivement sa capacité à tenir la charge. Cette perte de capacité (vieillesse) est irréversible. Au fur et à mesure que la batterie perd de sa capacité, la durée pendant laquelle elle alimente le produit (temps d'exécution) diminue.

Une batterie lithium-ion continue à se décharger lentement (auto-décharge) lorsqu'elle n'est pas utilisée ou lorsqu'elle est en stockage. Vous devez vérifier régulièrement l'état de charge des batteries.

N'utilisez la batterie que dans les instruments Tektronix approuvés.

Maintenance de la batterie

- Observez et notez le temps d'exécution fourni à votre produit par une batterie neuve pleinement chargée. Vous pouvez utiliser ce temps d'exécution comme base pour comparer les temps d'exécution des batteries plus anciennes. Le temps d'exécution de votre batterie varie selon la configuration du produit et les applications que vous utilisez.
- La batterie offre des performances optimales lorsqu'elle fonctionne à une température ambiante normale de 20 °C ± 5 °C (68 °F ± 9 °F).
- Vérifiez régulièrement l'état de charge des batteries.
- Surveillez avec soin les batteries qui approchent la fin de leur durée de vie estimée.
- Envisagez de remplacer la batterie par une neuve si le temps d'exécution tombe en deçà de 80 % du temps d'exécution d'origine, ou si le temps de charge de la batterie augmente de manière significative.
- Suivez les instructions de stockage si vous stockez ou n'utilisez pas une batterie pendant une longue période. Si vous ne suivez pas les instructions de stockage et si la batterie n'alimente pas l'instrument lorsqu'elle est installée, vous devez la considérer comme endommagée. Ne branchez pas l'instrument sur une source d'alimentation pendant cette opération. Retirez la batterie de l'instrument. N'essayez pas de recharger ou de réutiliser la batterie. Remplacez-la par une batterie neuve.



071-3768-00

Consignes générales de sécurité

Utilisez le produit uniquement dans les conditions spécifiées. Veuillez lire attentivement les précautions et consignes de sécurité suivantes afin d'éviter toute blessure et toute détérioration matérielle de l'appareil et des produits qui lui sont connectés. Lisez attentivement toutes les instructions. Conservez-les pour vous y reporter ultérieurement.

Ce produit doit être utilisé conformément aux codes locaux et nationaux.

Pour utiliser correctement et en toute sécurité ce produit, il est essentiel de respecter les procédures générales de sécurité en vigueur en plus des consignes indiquées dans ce manuel.

Seul du personnel qualifié peut utiliser ce produit.

Pour éviter un incendie ou des blessures

N'utilisez pas l'appareil si vous suspectez un défaut.

En cas de doute sur le bon état de cet appareil, faites-le contrôler par un technicien qualifié.

Mettez l'appareil hors service s'il est endommagé. N'utilisez pas le produit s'il est endommagé ou s'il ne fonctionne pas correctement. En cas de doute à propos de la sécurité du produit, éteignez-le et débranchez le cordon d'alimentation. Indiquez clairement qu'il ne doit pas être utilisé.

Examinez l'extérieur du produit avant de l'utiliser. Recherchez des fissures ou des pièces manquantes.

Procédez correctement au remplacement de la batterie.

Remplacez les batteries uniquement par des batteries du type et de la puissance nominale spécifiés.

Chargez correctement la batterie.

Rechargez la batterie en respectant le cycle de charge et la température recommandés.

Utilisez le chargeur de batterie adapté.

Utilisez uniquement le chargeur de batterie externe Tektronix ou un instrument Tektronix approuvé pour recharger la batterie.

N'utilisez pas l'appareil dans un environnement humide.

De la condensation peut se former si un appareil est déplacé d'un environnement froid vers un environnement chaud.

N'utilisez pas l'appareil dans un environnement explosif.

Conservez les surfaces du produit propres et sèches.


Éliminez les signaux d'entrée avant de nettoyer le produit.

Recharge de la batterie

La batterie se recharge automatiquement lorsqu'elle est installée dans un instrument Tektronix approuvé branché à une alimentation externe. Vous pouvez également recharger la batterie avec le chargeur externe Tektronix (TEKCHG-XX). Retirez la batterie du chargeur une fois la recharge terminée.


Les batteries lithium-ion se déchargent toutes seules lorsqu'elles ne sont pas utilisées. Pour obtenir la plus longue durée de fonctionnement, rechargez vos batteries avant de les utiliser. Si vous prévoyez de stocker vos batteries, lisez les instructions de la section *Stockage des batteries* du présent document.

Configuration	Temps de charge type
Une batterie complètement déchargée se recharge dans l'instrument.	Le temps varie selon le type d'instrument et la consommation électrique de l'instrument pendant la recharge. Consultez le manuel d'utilisation de l'instrument pour connaître le temps de charge.
Une ou deux batteries complètement déchargées se rechargent dans le chargeur de batterie externe Tektronix	5 heures

 **ATTENTION** : Pour éviter d'endommager la batterie, utilisez uniquement le chargeur de batterie externe Tektronix ou un instrument approuvé pour recharger la batterie. Ne connectez aucune autre source de tension à la batterie.

Pour des performances maximales, chargez complètement la batterie avant de l'utiliser pour la première fois ou après un stockage prolongé.

Pour décharger complètement la batterie, faites fonctionner l'instrument sur batterie jusqu'à ce qu'il s'arrête automatiquement. Une fois l'instrument éteint, rechargez la batterie rapidement ou retirez-la de l'instrument pour pouvoir la recharger.

 **Remarque** : Pour prolonger la durée de vie de la batterie et empêcher son arrêt, n'utilisez pas et ne chargez pas cette batterie à de fortes températures. Pour obtenir de meilleurs résultats, laissez la batterie refroidir à température ambiante avant de l'utiliser ou de la charger.

Ne laissez pas de batterie déchargée pendant une longue période. Consultez la section *Stockage des batteries* pour obtenir des informations sur les méthodes appropriées de stockage des batteries.

La charge de la batterie est interrompue dans les conditions suivantes :

- La batterie est totalement chargée.
- La température interne de la batterie dépasse le seuil de charge en toute sécurité.
- Une panne se produit.

La batterie s'arrête automatiquement et se déconnecte de l'instrument dans les conditions suivantes :

- La batterie est totalement déchargée.
- La température interne de la batterie dépasse le seuil de décharge en toute sécurité.
- Une panne se produit.

Manipulation de la batterie

- Ne désassemblez, broyez, laissez tomber ni ne percez jamais la batterie.
- Ne court-circuitiez pas les contacts externes de la batterie.
- N'exposez jamais la batterie au feu ou à l'eau.
- N'exposez jamais la batterie à une température supérieure à +60 °C (+140 °F).
- En cas d'ingestion d'une batterie ou de l'un de ses composants, consultez un médecin.
- Ne placez jamais les batteries à proximité d'une source de chaleur. Placez les batteries à l'abri du soleil.
- Conservez la batterie propre et sèche. Nettoyez les connecteurs sales à l'aide d'un chiffon propre et sec.
- Les batteries contiennent des substances chimiques dangereuses qui peuvent entraîner des brûlures ou des explosions. En cas d'exposition aux substances chimiques, nettoyez la zone à l'eau et au savon et consultez un médecin. Réparez le produit avant utilisation si la batterie fuit.
- N'essayez pas d'ouvrir, de modifier, de réformer ou de réparer une batterie qui semble dysfonctionner ou physiquement endommagée.
- Conservez la batterie hors de portée des enfants et des animaux.
- Évitez d'exposer les batteries à des vibrations ou des chocs excessifs.
- N'utilisez pas une batterie ou un chargeur endommagé.
- En cas de fuite d'une batterie, ne touchez aucun liquide qui s'écoule des batteries. Mettez au rebut toute batterie qui fuit. Consultez la section *Recyclage de la batterie* pour obtenir des informations relatives à la mise au rebut et au recyclage.
- En cas de contact oculaire avec un liquide qui s'écoule des batteries, ne frottez pas les yeux. Rincez immédiatement les yeux à l'eau pendant au moins 15 minutes, en soulevant les paupières inférieures et supérieures, jusqu'à ce qu'il ne reste plus aucune trace de liquide. Prenez un avis médical.

Stockage des batteries

- Stockez les batteries dans un environnement à faible humidité et sans gaz corrosifs. Des batteries rangées dans des environnements à forte humidité ou en dehors des conditions de température peuvent présenter une oxydation des parties métalliques et des risques accrus de fuite, d'usure excessive et de dysfonctionnement prématuré.
- Ne stockez pas les batteries à proximité d'une source de chaleur. Stockez les batteries à l'abri du soleil.
- Ne placez pas les batteries dans un endroit où les bornes peuvent être court-circuitées par des objets métalliques (pièces de monnaie, trombones ou stylos).
- Ne retirez la batterie de son emballage d'origine qu'au moment de l'utiliser.
- Si possible, retirez la batterie de l'équipement lorsque vous ne l'utilisez pas.
- Chargez la batterie à environ 50 % de sa capacité au moins une fois tous les six mois.
- Retirez la batterie et stockez-la séparément de l'instrument. Reportez-vous à la documentation de votre instrument pour obtenir des instructions sur le retrait et l'installation de la batterie.
- Pour obtenir une durée de vie optimale de la batterie, stockez-la à des températures comprises entre +5 °C et +25 °C (+41 °F à +77 °F). Des températures plus élevées réduisent la durée de stockage de la batterie.

Remplacement de la batterie

Remplacez la batterie lithium-ion uniquement par une batterie TEKBAT-XX.

Consultez la section *Recyclage de la batterie* pour obtenir des informations relatives à la mise au rebut et au recyclage.

Spécifications

Caractéristiques	Description
Capacité, typique	6,7 Ah (97,28 Wh)
Sortie, nominale	14,52 V
Température de charge	0 °C à +45 °C (+32 °F à +113 °F) ; varie en fonction du courant de charge et des caractéristiques de dissipation thermique de la batterie. La limite réelle peut être inférieure. Tektronix recommande d'utiliser le chargeur de batterie externe TEKCHG-XX pour recharger les batteries TEKBAT-XX dans des environnements à une température ambiante supérieure à +30 °C.
Température de décharge	-20 °C à +60 °C (-4 °F à +140 °F) ; varie en fonction du courant de décharge et des caractéristiques de dissipation thermique de la batterie. La limite réelle peut être inférieure.
Température de stockage	-20 °C à +35 °C (-4 °F à +95 °F)
Poids	Batterie : environ 447,4 g (15,78 oz) Batterie (emballage compris) : environ 564 g (19,89 oz)

Copyright © Tektronix. Tous droits réservés. Les produits logiciels sous licence sont la propriété de Tektronix, de ses filiales ou de ses fournisseurs et sont protégés par les lois nationales sur le copyright, ainsi que par des traités internationaux. Les produits Tektronix sont protégés par des brevets américains et étrangers déjà déposés ou en cours d'obtention. Les informations contenues dans le présent document remplacent toutes celles publiées précédemment. Les spécifications et les prix peuvent être soumis à modification.

TEKTRONIX et TEK sont des marques déposées de Tektronix, Inc.

Prendre contact avec Tektronix

Tektronix, Inc.

14150 SW Karl Braun Drive

P.O. Box 500

Beaverton, OR 97077

Etats-Unis

Pour obtenir des informations sur le produit, la vente, le service après-vente et l'assistance technique :

- En Amérique du Nord, appelez le 1-800-833-9200.
- Pour les autres pays, visitez le site www.tek.com pour connaître les coordonnées locales.

Warranty

For warranty information, go to www.tek.com/warranty-status-search